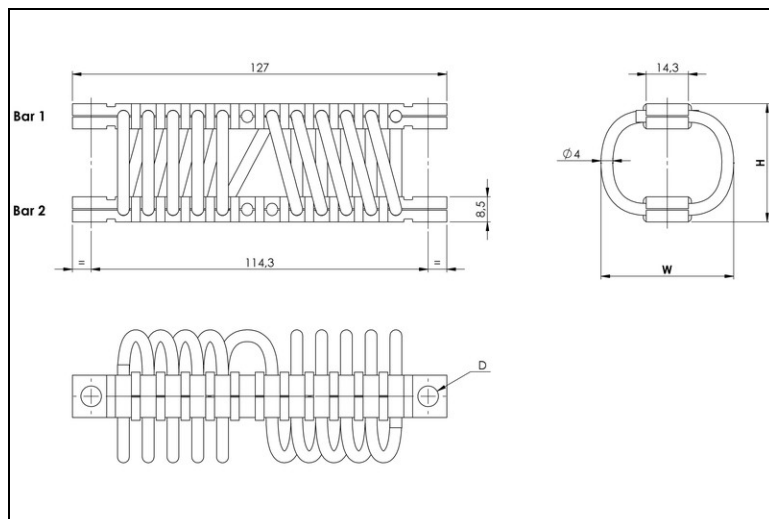


WIRE ROPE ISOLATORS: 'HELICAL'

DEFINITION
series C5H



- All metal multidirectional anti-vibration/shock mounts
- Exceptional reliability and long life
- High damping
- No aging
- Corrosion resistant
- Unequalled temperature range : -180°C to +300°C / -290F to 570 F
- Great adaptability/versatility

Specials on request

(material size and number of loops, etc.)

Dimensions are in millimeters. For reference only

SERIES
Materials and finishes (meets RoHS requirements)
C5H
Cable: stainless steel
Retainer bars: aluminium alloy/ SurTec
Clips: stainless steel
Inserts: alloy steel/ zinc plate
Other materials on request

MODEL				
	height H (mm)	width W (mm)	weight (kg)	
310	29	38	0,14	
410	31	40	0,14	
510	34	43	0,14	
610	37	45	0,15	
710	39	48	0,15	
810	42	50	0,16	
910	45	53	0,16	
1010	52	62	0,18	
1110	54	64	0,18	
1210	54	72	0,19	
1310	58	81	0,20	

INTERFACES			
fixtures holes D	Bar 1		
	2 through holes ø6,4mm	2 through holes ø6,4mm countersunk k 90°	2 inserts M6
Bar 2			
2 through holes ø6,4mm	no suffix	not standard	not standard
2 through holes ø6,4mm countersunk 90°	CM	CM2	not standard
2 inserts M6	IM	CIM	IM2

C 5 H 3 1 0 C I M

SERIE: C5H

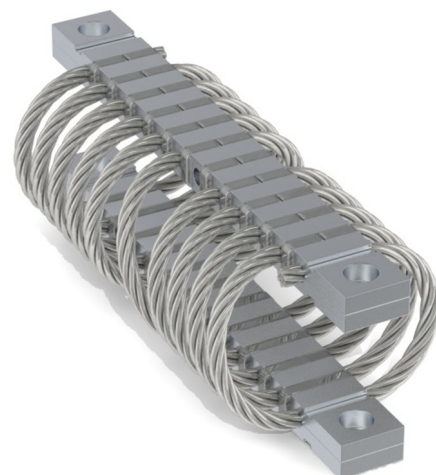
'Helical' mount from the C5H series

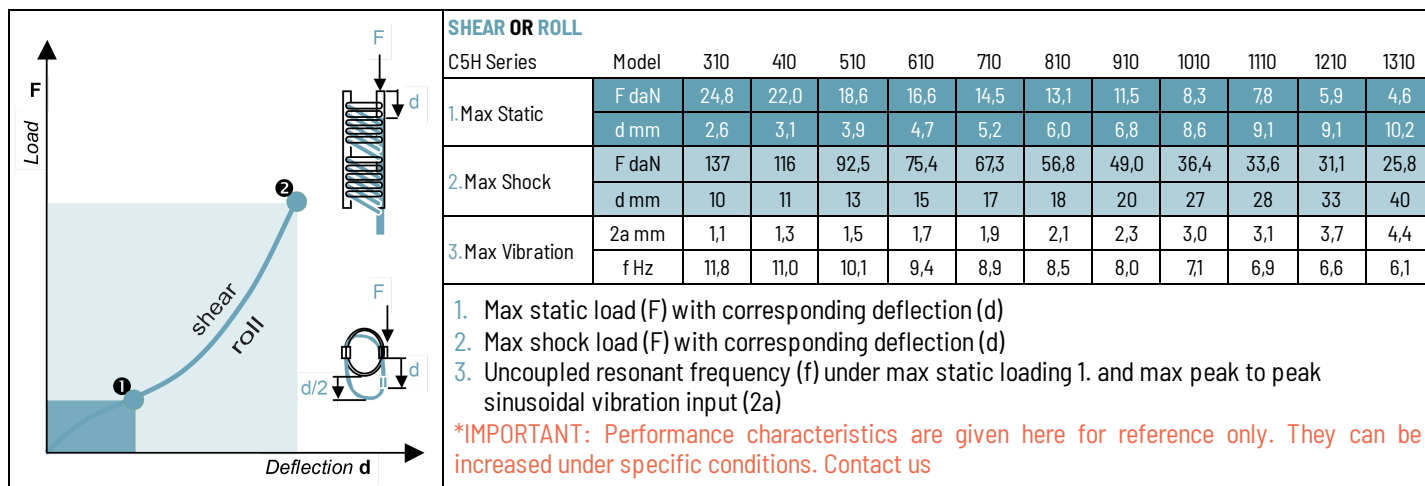
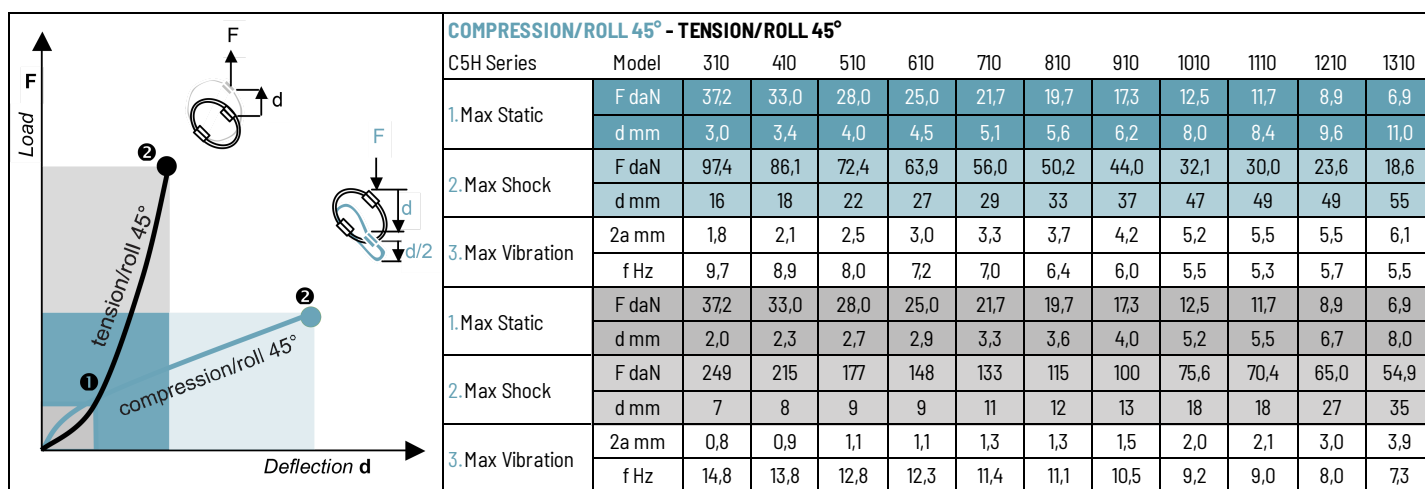
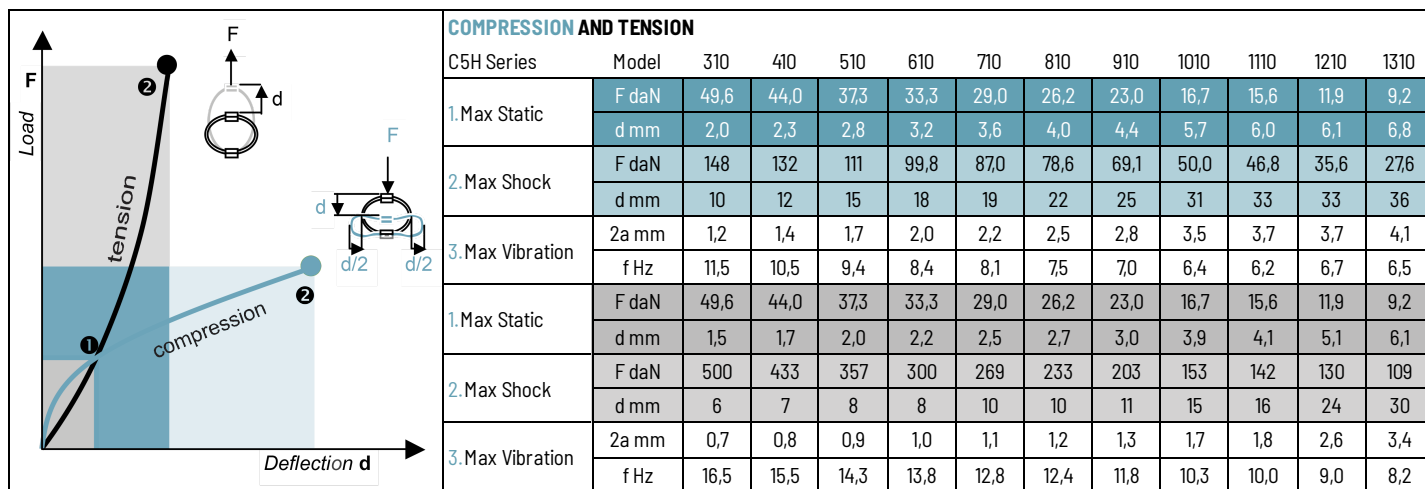
MODEL: 310

height: 29mm
width: 38mm
weight: 0,14kg
loops: serie
standard is 10 loops

INTERFACE: CIM

2 through holes ø6,4mm
countersunk 90° in bar 1,
2 inserts M6 in bar 2





TYPICAL SHOCK/VIBRATION SPECIFICATIONS:

- Air** AIR 7306, MIL-E-5400, MIL-C-172, MIL-STD-810
- Ground Forces** GAM EG13A, SEFT 001, MIL-STD-810, VG 9533
- Marine** GAM EG13C, IT25-21/96-31/15-86, MIL-S-167, MIL-S-901, STANAG 042, BV 043.73, BV 044
- Others** GAM EMB1, GAM EMBT4, DEF STAN 07-55, IEC 571, FINABEL 2C